

# 44-PW530

## Fully Automatic AM/FM

### Power Antenna

## Installation Instructions

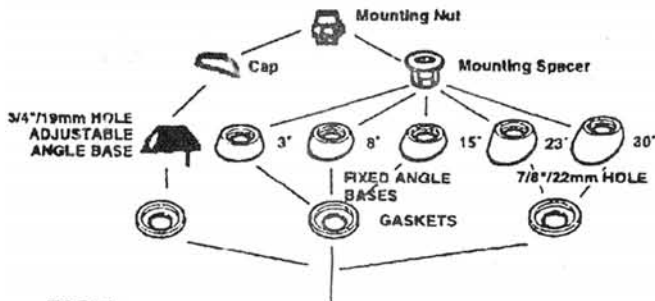
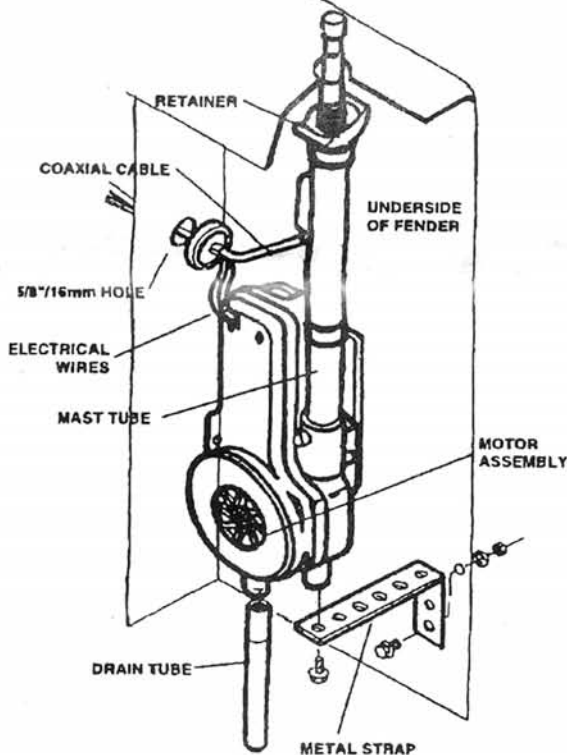


FIG 1.



This antenna is designed for optimum performance for either AM or FM bands. The antenna is raised or lowered by operating the radio on/off switch.

**PRIOR TO INSTALLING THE ANTENNA, READ THE ENTIRE INSTALLATION INSTRUCTION.**

May require an extension cable depending on vehicle or an antenna adapter cable for many 1988-up, 1995-up Ford and some imports.

### 1. REPLACEMENT OF EXISTING POWER ANTENNA, REMOVING OLD ANTENNA.

- A) Gain access to the underside of the fender area through the trunk, fender, splash panel, etc.
- B) Remove mounting bracket, drain tube, electrical wire and antenna coaxial cable. When removing electrical wires and coaxial cable from the antenna, follow to the closest connector and disconnect. **DO NOT CUT COAXIAL CABLE.**
- C) Disassemble the mounting base, and save the parts, they may be used with the installation of the new antenna.
- D) Remove old antenna from below fender.
- E) To avoid cutting car wiring, you may want to cut the connector off of the old antenna removed from the car, attaching the new antenna wiring to the old connector wires and directly plug into car wiring.

### 2. NEW ANTENNA INSTALLATION:

#### For first time antenna installations

- A) Use original factory hole or select a location on the front or back fender of car for mounting antenna. In selecting the location make sure the the underside of the fender is free of any obstruction such as weld beads, braces, gussets and sub-fender. Also, be sure that sufficient clearance is available under fender to house antenna, approximately 13 1/2"/33cm.
- B) Six mounting bases are provided with the antenna, five fixed angle and one adjustable flush mount base. (See figure 1).
- C) Remove the installed mounting base from new antenna. Select the proper base and gasket with the appropriate retainer for the selected base (as shown in figure 1) or reuse original mounting base previously removed from old antenna.  
NOTE: The five fixed angle bases require a 7/8"/22mm hole. The adjustable angle base requires a 3/4"/19mm hole.
- D) With either hole size, a 1/8" /3mm pilot hole should be drilled, then enlarged with a hole saw or drill bit to the proper size for the selected base.
- E) Remove all burrs, paint, road dirt or under coating from around the underside of the hole.

F) Install the antenna from the underside of the fender and assemble the base above the fender according to figure 1. **BE SURE THE RETAINER RESTS EVENLY ON THE UNDER SIDE OF THE FENDER TO ALLEVIATE ANY POSSIBLE DAMAGE TO THE VEHICLE.** Align the mast vertically by slightly tightening the antenna mounting nut while adjusting the mast to be vertical.

G) To prevent movement and maintain the desired angle, secure the bottom of the motor assembly with the supplied perforated strap. Holes are provided with the strap to accommodate various mounting positions. It may be necessary to bend the strap to conform to the fit of the antenna and car. Be sure the antenna retainer is grounded to the underside of the fender and the black ground wire is grounded properly to the vehicle chassis. If the retainer and ground wire are not properly grounded, **THE ANTENNA WILL NOT WORK.**

H) With the bottom of the antenna motor assembly secured, the mast at the desired angle and the retainer resting evenly on the underside of the fender, tighten the mounting nut firmly to secure the entire antenna assembly. Do not tighten the nut excessively as this may strip or break the mounting threads or damage contact spring and cause improper antenna operation.

I) Attach the drain tube to the bottom of motor assembly and route to the outside of the car. Avoid any kinks or bends in the tube that may restrict drainage. ( as shown in figure 1.)

#### **For new antenna installation:**

J) Route electrical wiring and coaxial cable into the dash area of the vehicle interior as shown in figure 2. (44-PWEC157 extension cable may be required.) A 5/8" /16mm hole may be required in the interior panel when routing wire from front fender. If possible, avoid routing coaxial cable into engine compartment. The electrical noise found in this area may be transmitted into the antenna wiring.

### **3. ANTENNA WIRING**

#### **For first time antenna installation:**

A) **Radios with switched antenna wire:** Connect blue wire from antenna to the switched antenna wire from radio (normally blue) as shown in figure 2. Connect coaxial cable from antenna to radio.

**We recommend a qualified technician, such as an installer institute graduate to make the radio modification found in item 3B.**

#### **B) Radios without switched antenna wire:**

Remove radio from car and remove radio top or back cover to gain access to radio volume control/ power switch. Solder blue wire as shown in figure 3. Reassemble radio top or back cover. Then reinstall radio in vehicle. Connect the new blue wire from the radio to the blue wire from the antenna. Connect coaxial cable from antenna to radio.

C) The red power wire from antenna can be connected at fuse block, ( as shown in figure 2.) battery, or hot side of ignition switch or any other +12 volt "constant on" location.

### **4. ANTENNA TRIMMER ADJUSTMENT (FOR NON-DIGITAL RADIOS)**

With antenna fully extended and radio turned to a weak AM station around 1400KHz, tune trimmer with screwdriver for maximum volume. See radio owners manual for location of antenna trimmer. Digital radios do not require trimming.

### **5. MAST REPLACEMENT**

**Part Number : 44-PWR64 Chrome Mast  
(Upgrade) 44-PWR64B Black Mast & Nut  
(Upgrade) 44-PWR64G Gold Mast & Nut**

A) Remove antenna mounting nut (figure A)

B) To remove mast, turn radio switch on to raise antenna. Remove mast, serrated plastic cable and contact spring. Save and clean contact spring for re-use. **Note which side of antenna serrated cable is facing.** (Figure B)

C) Insert serrated cable of new mast into the housing. Stop when resistance is felt, approximately 12". **The serrated side of cable must duplicate original direction.**

D) Turn radio switch off to lower antenna until serrated cable catches. It may be necessary to cycle antenna several times (by turning radio switch on and off) until cable catches the gear mechanism and retracts (Figure C).

E) Reinstall mast into housing and place contact spring onto mast with flanged end up. (Figure D)

F) Reinstall antenna mounting nut and tighten.

G) The mast may only retract or extend halfway. Cycle several times (by turning radio switch on and off) until the mast fully extends and retracts.



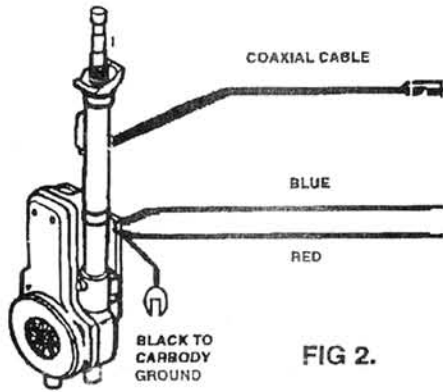
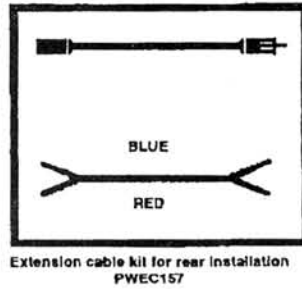


FIG 2.



Extension cable kit for rear installation PWEC157

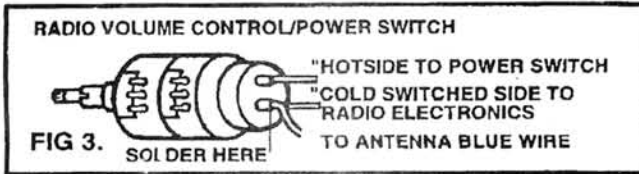
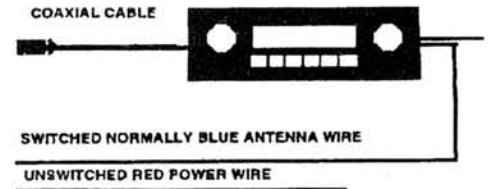
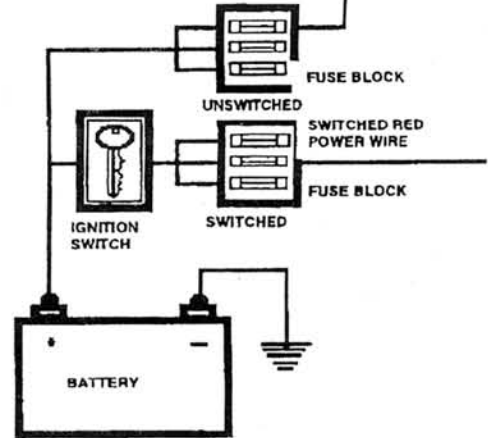
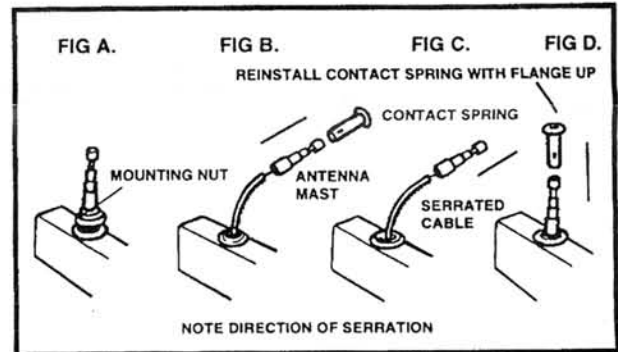


FIG 3.



**IMPORTANT NOTES**

- 1) Maintenance: For best operation and reception periodically clean mast (while fully extended) with a damp cloth, approximately once a month. Do not oil or grease antenna or motor assembly.
- 2) Power antenna is designed to withstand extremely cold temperatures, but under severe icing conditions the antenna could fail to extend or retract. Should this occur, turn the radio on and off three or four times to help free the antenna mast. The antenna motor will not be damaged if mast does not extend, a special clutch protects the motor from possible damage.
- 3) Remember to retract antenna when entering a car wash, garages or low clearance areas.
- 4) Do not use components or wiring other than Antennaworks. There are no serviceable parts in the motor assembly and it should not be taken apart. Warranty will be invalid if damage is caused by unauthorized accessories, disassembly or for wiring methods other than those recommended.
- 5) Periodically inspect drain tube for blockage or kinks.
- 6) Use a 5 amp fuse in case of replacement to avoid damage to the motor.



**METRA ELECTRONICS OFFERS A FULL LINE OF INSTALLATION KITS AND ACCESSORIES**

Auto Stereo Installation Kit

Auto Stereo Wiring Harness

**Metra Antennaworks LIMITED WARRANTY**

Antennaworks warrants to the original retail purchaser of this product. Should this product prove to be defective in material or workmanship within 1 year from the date of original purchase, it will be repaired or replaced (at Antennaworks option) without charge for parts or labor.

This warranty does not apply to any product or part thereof which has been changed through alteration, misuse, neglect, accidents, mishandling, unreasonable use, improper installation, or accident in shipment. This warranty does not extend to the elimination of car static or motor noise, costs incurred for removal or reinstallation of the product, or damage to other accessories or car electrical systems. Further, this warranty is inapplicable to any product which has not been maintained in accordance with Antennaworks installation and operating instruction.

To obtain repair or replacement within the terms of this warranty, the defective product, with proof of purchase, first should be returned to the original place of purchase. If that is not possible, the defective product must be delivered, transportation prepaid to Antennaworks at the address shown below. A letter explaining the details of the problem must be enclosed. Antenna must be returned to Antennaworks complete. Any missing parts will be replaced and billed at current pricing. Repairs or replacement will be made and the product will be returned as soon as possible.

Before returning the item for repair or service, verify that the product itself is defective, as errors in wiring or in adherence to following installation directions may be the problem.

Product materials and specifications are subject to change without notice.

THIS WARRANTY IS IN LIEU OF ANY OTHER WARRANTIES, EXPRESS OR IMPLIED, AND METRA/ANTENNAWORKS SHALL NOT BE LIABLE FOR ANY INCIDENTAL OR CONSEQUENTIAL DAMAGES DUE TO THE BREACH OF ANY EXPRESS OR IMPLIED WARRANTY. ANY IMPLIED WARRANTY OF MERCHANTABILITY IS LIMITED IN DURATION TO THE 1 YEAR WARRANTY PERIOD SPECIFIED ABOVE. UNDER NO CIRCUMSTANCES SHALL ANTENNAWORKS BE LIABLE FOR ANY INCIDENTAL OR CONSEQUENTIAL DAMAGES FOR BREACH OF THIS WARRANTY.

No person or representative of Metra/Antennaworks is authorized to assure for Antennaworks any liability otherwise expressed herein in connection with the sale of this product.

Some states do not allow limitations on how long an implied warranty lasts or the exclusion or limitation of incidental or consequential damage so the above limitations or exclusion may not apply to you. This warranty give you specific legal rights and you may also have other rights which vary from state to state.

Send to:

**METRA/ANTENNAWORKS Division  
460 Walker Street  
Holly Hill, FL 32117-2699**

PLEASE FILL IN AFTER PURCHASE FOR YOUR RECORDS:

PURCHASE DATE

RETAIL STORE PURCHASED FROM

COST OF PRODUCT

**NOTE: BE SURE TO RETAIN ORIGINAL RECEIPT FOR WARRANTY TO BE VALID.**