



INSTALLATION INSTRUCTIONS FOR PART 88-00-9008

Applications

POCKET PROVISION FOR ISO-DIN OR STACKED-DIN MODELS OF VW

- GOLF 1999-2006 • GTI 1999-2005
- JETTA 1999-2005 (Excluding NEW JETTA 2005)
- PASSAT 2000-2005

Patent #D481,708

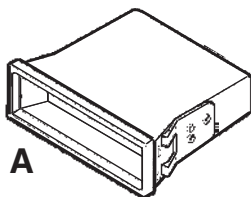
88-00-9008

KIT FEATURES

- Holds Three CD Jewel Cases

KIT COMPONENTS

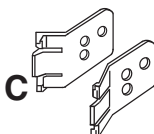
- A) Pocket Trimplate Assembly
- B) (6) #6 x 1/4" Phillips Flat Head Screws
- C) Brackets Set #1



A



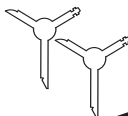
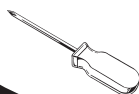
B



C

TOOLS REQUIRED:

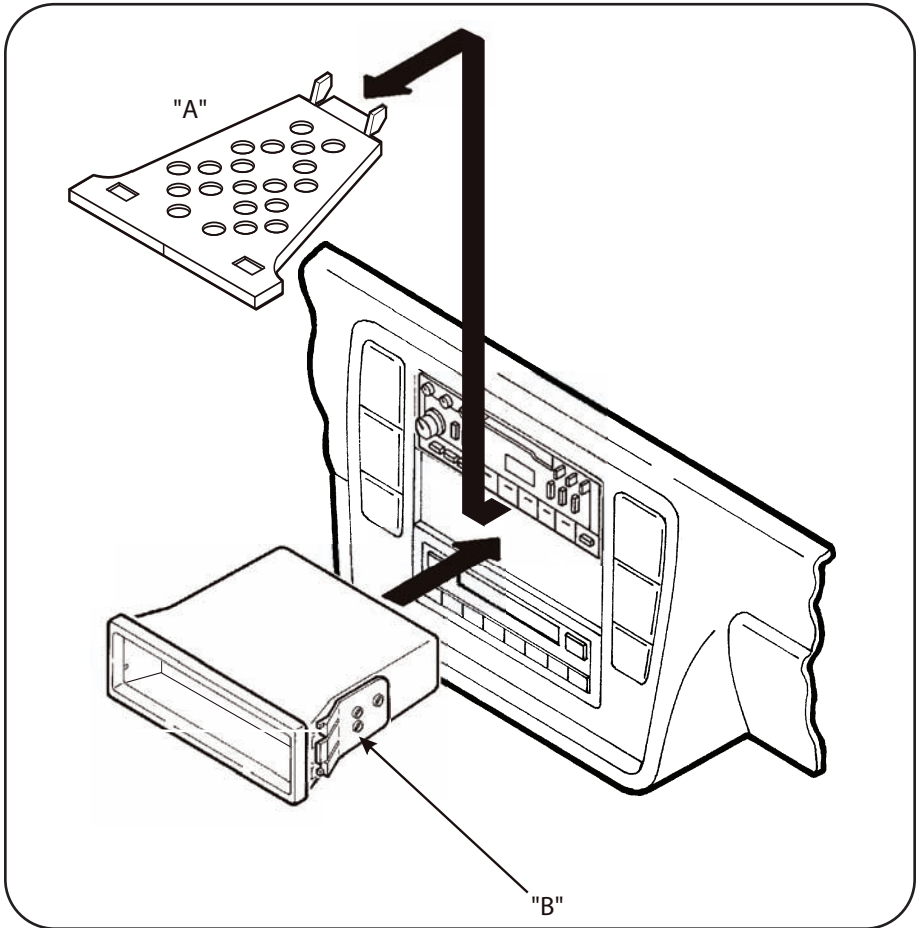
- Phillips Screwdriver
- Radio Removal Tool



1-800-221-0932



www.metraonline.com

ALL VEHICLES

Pull out on the plastic tray separating the dash cavity and remove the tray ("A"). Position the Pocket so each Bracket is configured with (2) screws on the top and (1) screw on the bottom ("B"). Slide the Pocket into the dash opening until the side clips engage.

**KNOWLEDGE IS POWER**

Enhance your installation and fabrication skills by enrolling in the most recognized and respected mobile electronics school in our industry. Log onto www.installerinstitute.com or call 800-354-6782 for more information and take steps toward a better tomorrow.