



Nissan Frontier 2022-Up

Visit [MetraOnline.com](https://www.MetraOnline.com) for more detailed information about the product and up-to-date vehicle specific applications

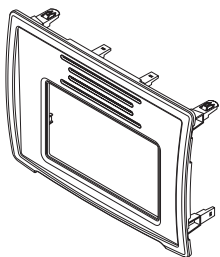
KIT FEATURES

- ISO DDIN radio provision
- ISO DIN radio provision with pocket sold separately
- Painted scratch resistant matte black
- Most full size DDIN radios will require a small cut in the sub dash for clearance. Shallow chassis radios should not require any cutting.

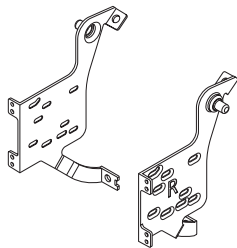
KIT COMPONENTS

- A) Radio trim panel • B) Radio brackets • C) Panel clips (4) • D) #8 x 3/8" Phillips screws (4)

A



B



C



D

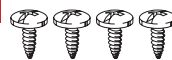


TABLE OF CONTENTS

Dash Disassembly	2-4
Kit Preparation.....	5
Kit Assembly	6

WIRING & ANTENNA CONNECTIONS (sold separately)

Wiring Harness: 70-7552

Antenna Adapter: 40-EU10

Visit [axessinterfaces.com](https://www.axessinterfaces.com) for more audio/video and steering wheel control interface options.

TOOLS REQUIRED

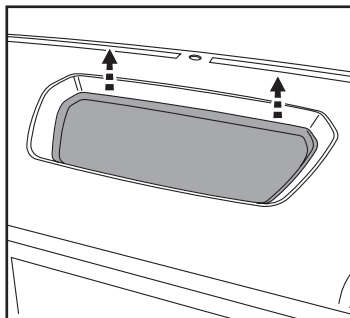
- Panel removal tool • Phillips screwdriver

Attention! With the key out of the ignition, disconnect the negative battery terminal before installing this product. Ensure that all installation connections are secure before cycling the ignition to test this product.

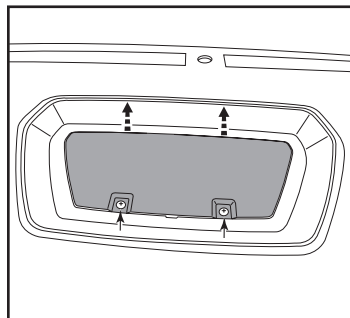
DASH DISASSEMBLY

1. Remove the rubber pad from the pocket above the radio then remove (2) Phillips screws under pad. (Figure A)
2. Unclip and remove the panel from inside the pocket. (Figure B)
3. Remove the (2) Phillips screws from the top of the radio brackets inside the pocket area. (Figure C)

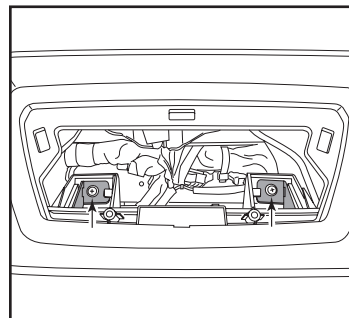
Continued on the next page



(Figure A)



(Figure B)

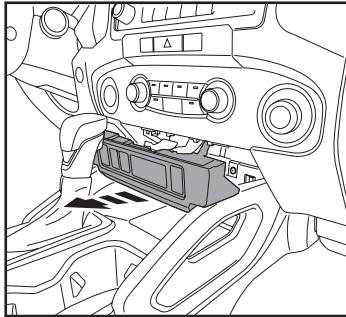


(Figure C)

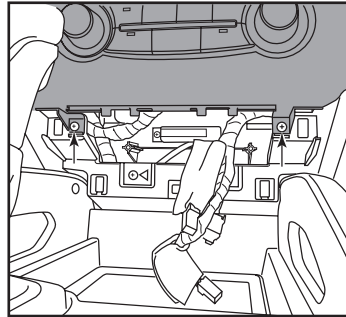
DASH DISASSEMBLY (CONT.)

4. Unclip and remove the switch panel below the A/C controls. (Figure D)
5. Remove (2) Phillips screws exposed behind switch panel on bottom of A/C controls. (Figure E)
6. Unclip and remove the A/C control panel. (Figure F)

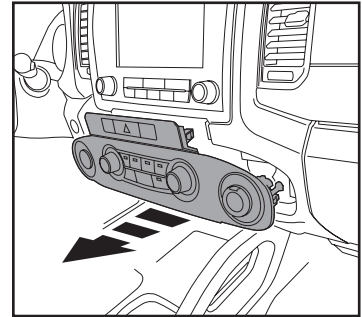
Continued on the next page



(Figure D)



(Figure E)

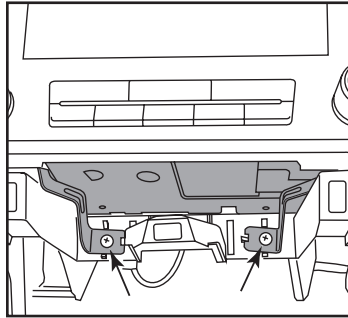


(Figure F)

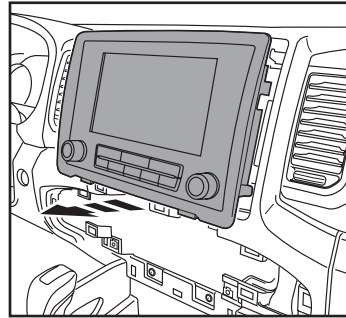
DASH DISASSEMBLY (CONT.)

7. Remove (2) Phillips screws from the bottom of the radio brackets. (Figure G)
8. Unclip and remove the radio assembly. (Figure H)

Continue to Kit Preparation



(Figure G)

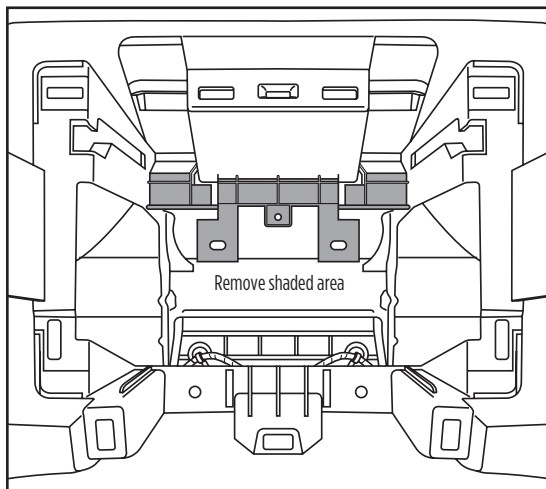


(Figure H)

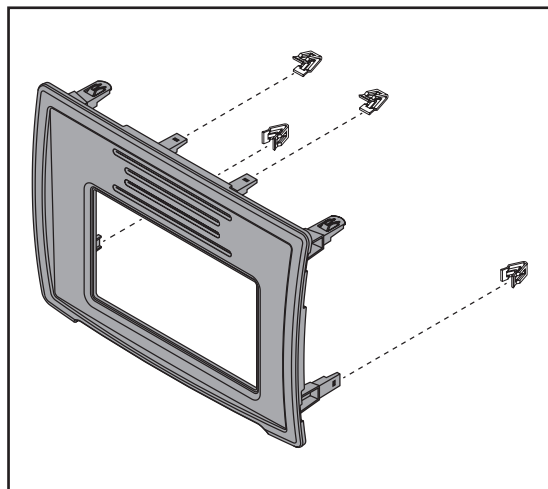
KIT PREPARATION

1. Most full size DDIN radios will require a small cut in the sub dash for clearance.
Note: Shallow chassis radios should not require any cutting. (Figure A)
2. Attach the (4) supplied **panel clips** to the **radio housing**. (Figure B)

Continue to Kit Assembly



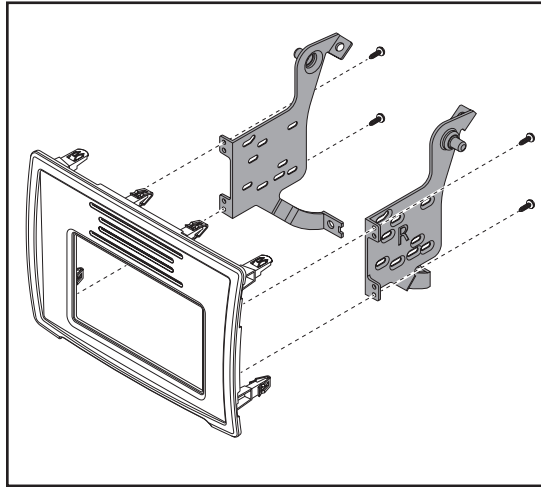
(Figure A)



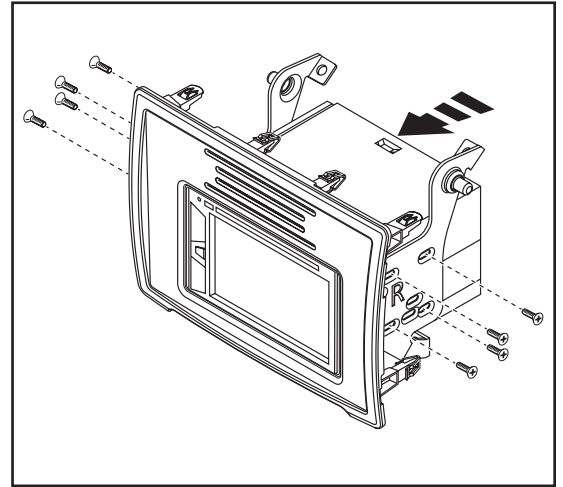
(Figure B)

KIT ASSEMBLY

1. Attach the **radio brackets** to the **radio trim panel** using (4) #8 x 3/8" Phillips screws supplied. (Figure A)
2. Slide the radio into the completed assembly, and then secure it to the assembly using screws supplied with the radio. (Figure B)
3. Locate the factory wiring harness and antenna connector in the dash, and complete all necessary connections to the radio. Metra recommends using the proper mating adapter from Metra and/or AXXESS. Re-connect the negative battery terminal and test the radio for proper operation.
4. Reassemble the dash in reverse order of disassembly.



(Figure A)



(Figure B)





95-7641B
INSTALLATION INSTRUCTIONS



Having difficulties? We're here to help.



Contact our Tech Support line at:

386-257-1187



Or via email at:

techsupport@metra-autosound.com

Tech Support Hours (Eastern Standard Time)

Monday - Friday: 9:00 AM - 7:00 PM

Saturday: 10:00 AM - 5:00 PM

Sunday: 10:00 AM - 4:00 PM



**Metra recommends MECP
certified technicians**