



Ford Bronco 2021-Up

Visit [MetraOnline.com](https://www.MetraOnline.com) for more detailed information about the product and up-to-date vehicle specific applications

KIT FEATURES

- Aftermarket speaker pods for 2- and 4-door Ford Bronco
- Black textured finish

KIT COMPONENTS

- A) Speaker pod (Passenger side) • B) Speaker pod (Driver side) • C) Speaker grills • D) 4-door mounting brackets • E) 2-door mounting brackets
- F) Panel clips (2) • G) Speaker harnesses (2) • H) Black retaining clips (2)

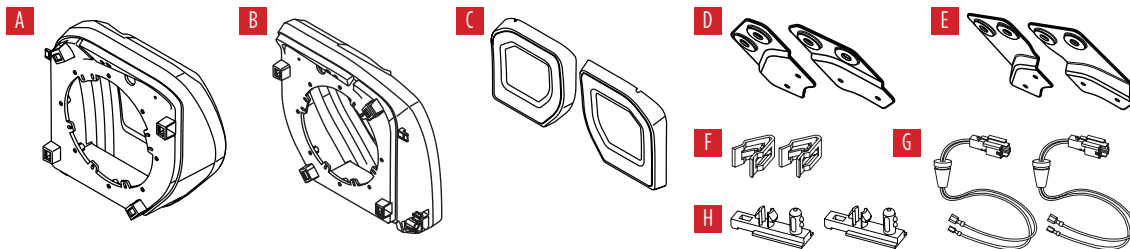


TABLE OF CONTENTS

| | |
|--------------------|-----|
| Disassembly | 2-3 |
| Kit Assembly | 4-7 |

TOOLS REQUIRED

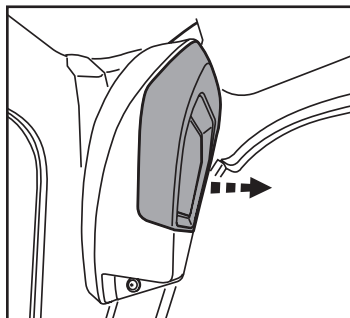
- Panel removal tool • Torx drivers
- Phillips screwdriver

Attention! With the key out of the ignition, disconnect the negative battery terminal before installing this product. Ensure that all installation connections are secure before cycling the ignition to test this product.

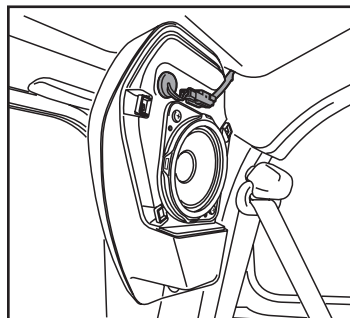
DISASSEMBLY

Bronco speaker pod disassembly 2-door and 4-door

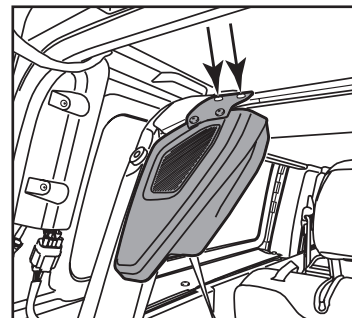
1. Unclip and remove the speaker pod grille. (Figure A)
2. Unplug the speaker harness and let hang till reassembly. (Figure B)
3. Remove (2) more T-30 Torx bolts securing the top of the speaker pod bracket facing down from roof. (Figure C)



(Figure A)



(Figure B)



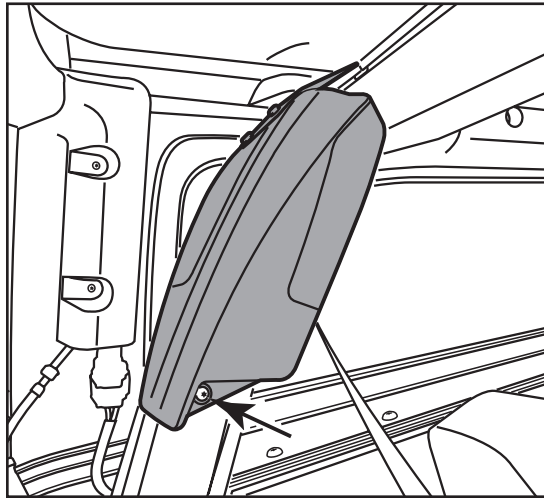
(Figure C)

Continued on the next page

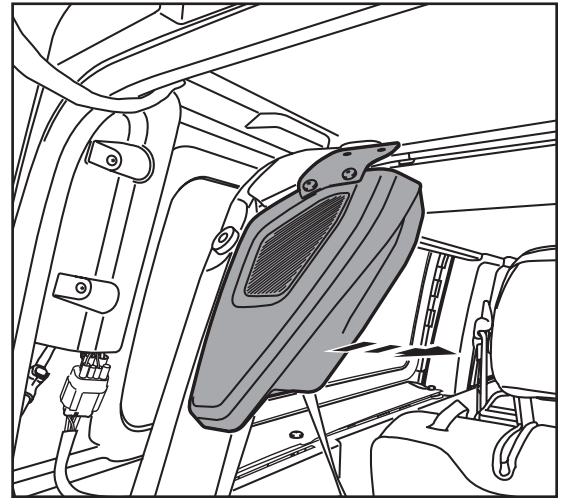
DISASSEMBLY (CONT.)

4. Remove (1) T-30 Torx bolt from the lower part of the speaker pod facing outside of vehicle. (Figure D)
5. Unclip and remove the speaker pod by pulling towards inside of vehicle. (Figure E)

Continue to Kit Assembly



(Figure D)



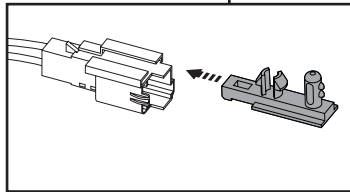
(Figure E)

KIT ASSEMBLY

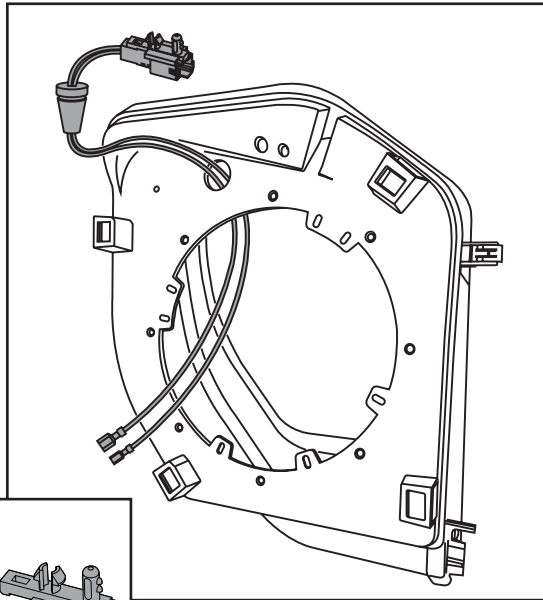
Driver side speaker pod

1. Slide the **black retaining clip** onto the **speaker harness** provided with the **BROPOD** then route the speaker harness wires through the hole in the **speaker pod** and push the rubber grommet in until seated. Attach the harness to the **speaker pod** with the black retaining clip previously attached to the speaker harness. (Figures A, B, C)

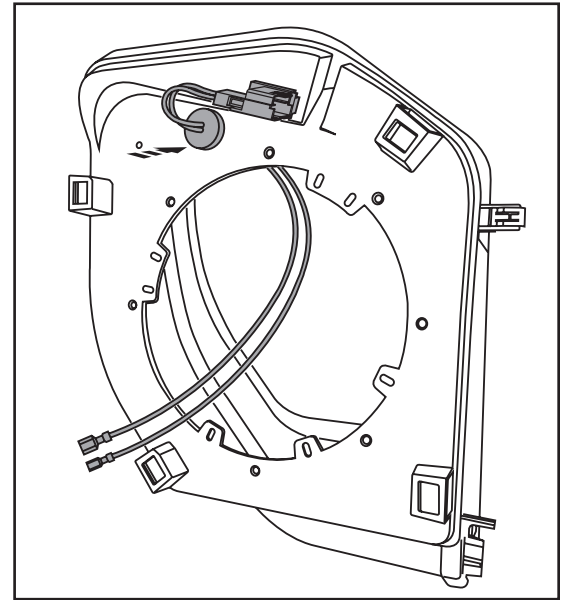
Continued on the next page



(Figure A)



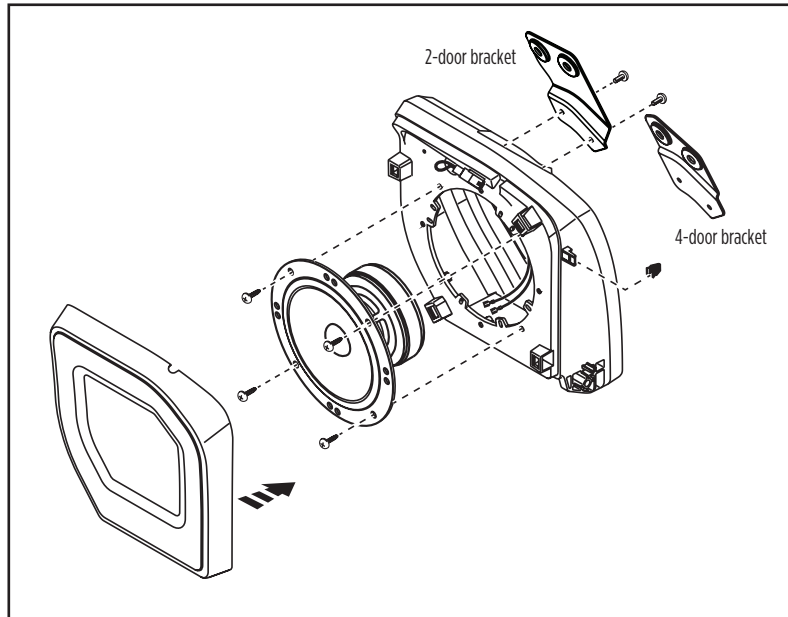
(Figure B)



(Figure C)

KIT ASSEMBLY

2. Connect the speaker harness to the aftermarket speaker, then install the speaker to the **speaker pod** using the screws supplied with the speaker. (Figure A)
3. Using the factory screws, attach the appropriate **bracket** (2-door or 4-door) to the speaker pod. (Figure A)
4. Attach **panel clip** to the speaker pod. (Figure A)
5. Attach **speaker pod** to the vehicle using the factory hardware.
6. Route the speaker harness from the vehicle through the channel in the **speaker pod**. Connect the factory harness to the speaker harness on the **BROPOD**.
7. Snap the **speaker grille** to the **speaker pod**. (Figure A)



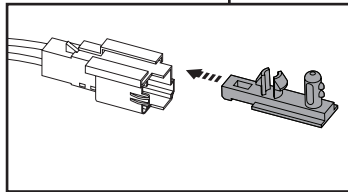
(Figure A)

KIT ASSEMBLY

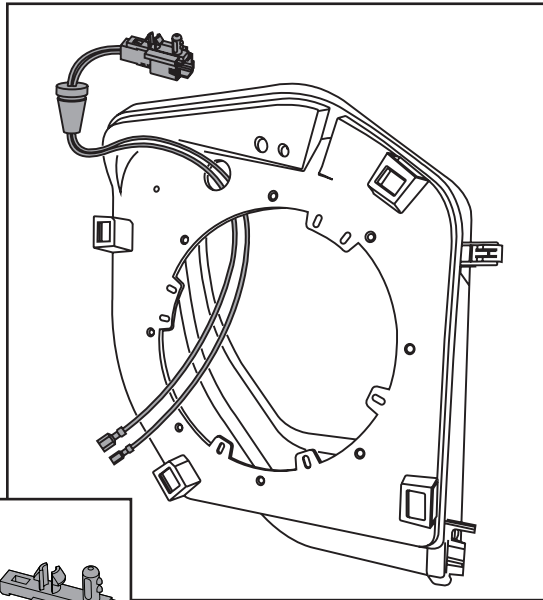
Passenger side speaker pod

1. Slide the **black retaining clip** onto the **speaker harness** provided with the **BROPOD** then route the speaker harness wires through the hole in the **speaker pod** and push the rubber grommet in until seated. Attach the harness to the **speaker pod** with the black retaining clip previously attached to the speaker harness. (Figures A, B, C)

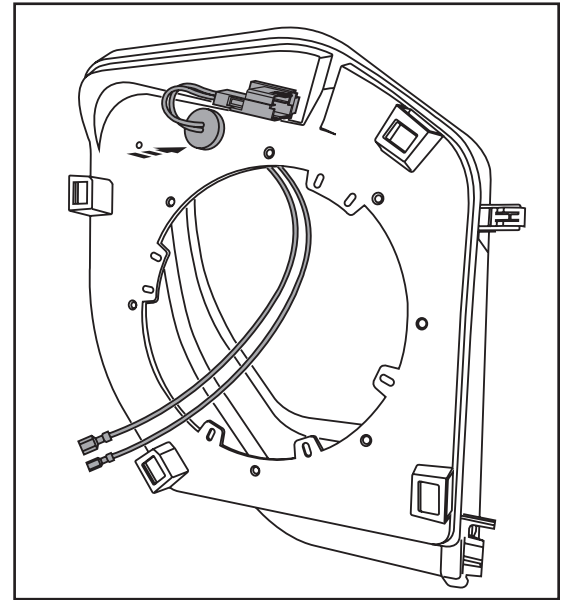
Continued on the next page



(Figure A)



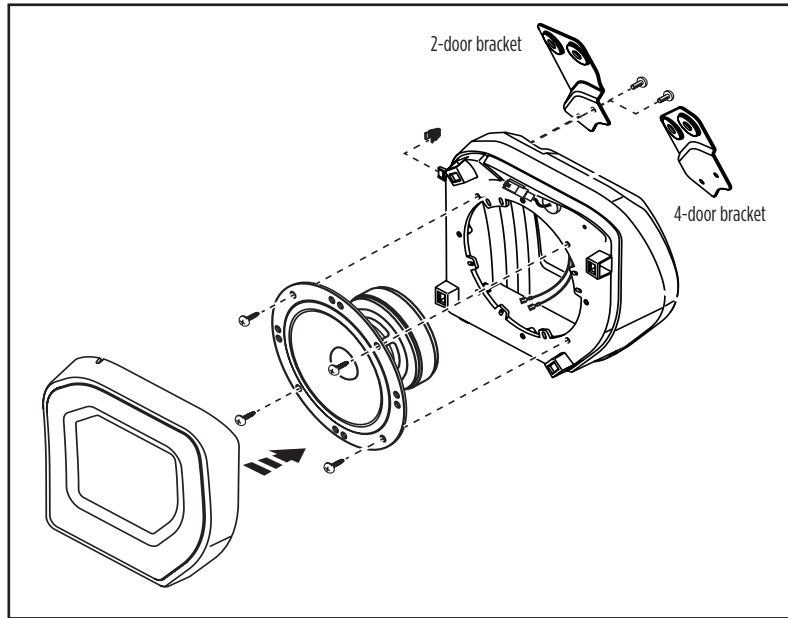
(Figure B)



(Figure C)

KIT ASSEMBLY

2. Connect the speaker harness to the aftermarket speaker, then install the speaker to the **speaker pod** using the screws supplied with the speaker. (Figure A)
3. Using the factory screws, attach the appropriate **bracket** (2-door or 4-door) to the speaker pod. (Figure A)
4. Attach **panel clip** to the speaker pod. (Figure A)
5. Attach **speaker pod** to the vehicle using the factory hardware.
6. Route the speaker harness from the vehicle through the channel in the **speaker pod**. Connect the factory harness to the speaker harness on the **BROPOD**.
7. Snap the **speaker grille** to the **speaker pod**. (Figure A)



(Figure A)



FD-BROPOD1

INSTALLATION INSTRUCTIONS



Having difficulties? We're here to help.



Contact our Tech Support line at:

386-257-1187



Or via email at:

techsupport@metra-autosound.com

Tech Support Hours (Eastern Standard Time)

Monday - Friday: 9:00 AM - 5:00 PM

Saturday: 10:00 AM - 5:00 PM

Sunday: 10:00 AM - 4:00 PM



KNOWLEDGE IS POWER

Enhance your installation and fabrication skills by enrolling in the most recognized and respected mobile electronics school in our industry. Log onto www.installerinstitute.edu or call 386-672-5771 for more information and take steps toward a better tomorrow.



Metra recommends MECP certified technicians